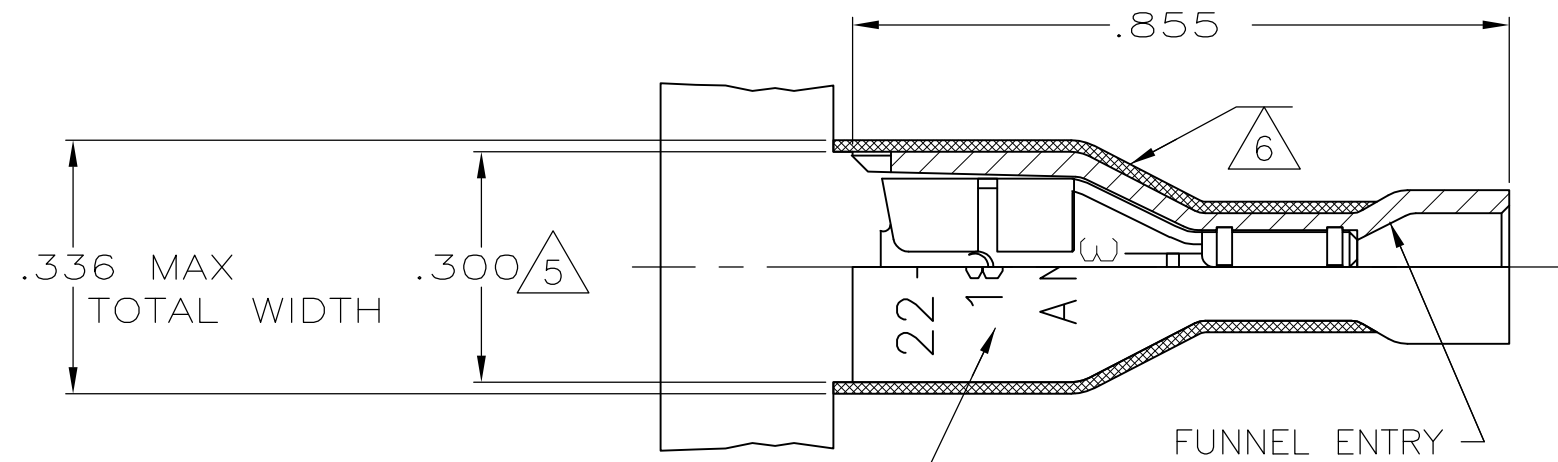
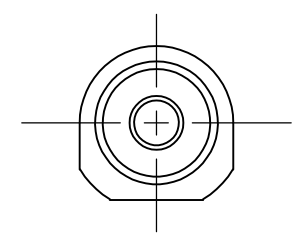
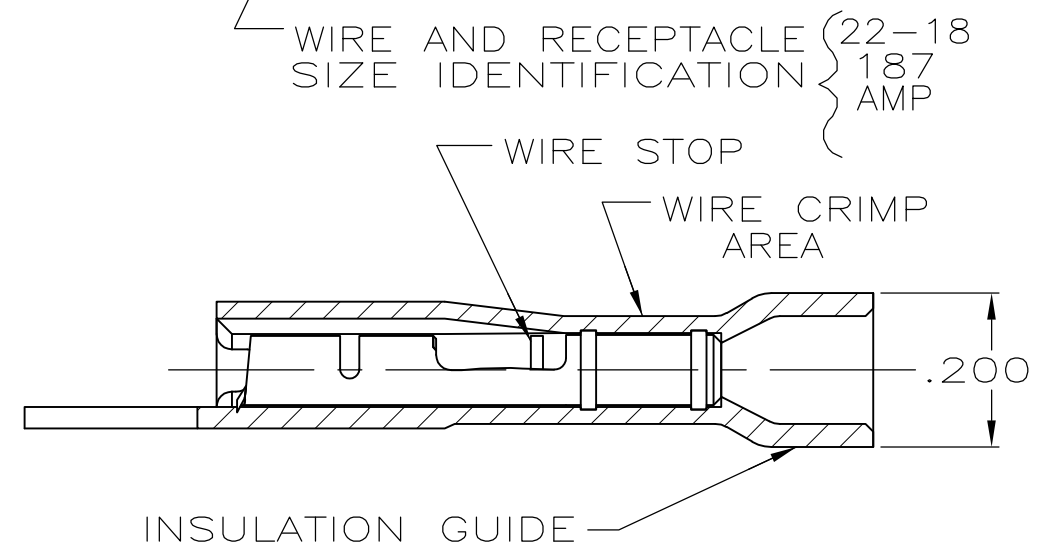
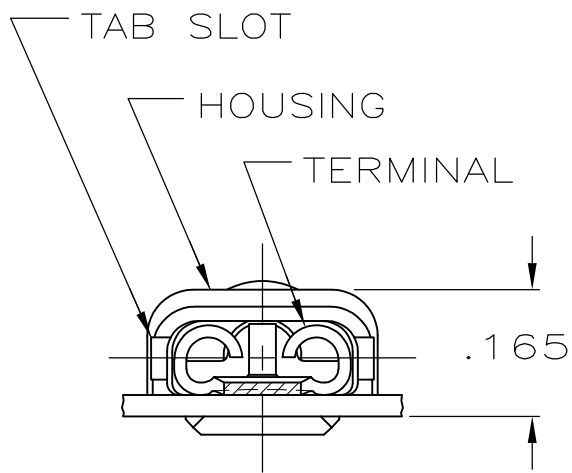


THIS DRAWING IS UNPUBLISHED. RELEASED FOR PUBLICATION
 © COPYRIGHT - By - ALL RIGHTS RESERVED.

LOC	DIST	REVISIONS			
P	LTR	DESCRIPTION	DATE	DWN	APVD
AF	50	V	REVISED PER ECR-13-004343	30JUL13	KH KR



- 1 MATES WITH $.032 \pm .001 \times .187$ TAB
- 2 WIRE STRIP LENGTH $.281$
- 3 INSULATION SIZE $.135$ MAX DIA
- 4 CONTINUOUS STRIP ON REELS
- 5 DIMENSION DOES NOT INCLUDE TRIM BURR
- 6 $.015$ MAX CARRIER TRIM BURR PER SIDE IS ALLOWABLE IN THE SHADED AREA



HOUSING: NYLON, COLOR - BLACK RECEPTACLE: BRASS TIN	9-520193-2
HOUSING: NYLON, COLOR - RED TRANSLUCENT RECEPTACLE: BRASS TIN	2-520193-2
MATERIAL & FINISH	PART NO.

THIS DRAWING IS A CONTROLLED DOCUMENT.		DWN P FORTNEY 10/13/88	TE Connectivity RECEPTACLE ASSY, ULTRA-FAST, .187 SERIES, 22-18 AWG				
DIMENSIONS: INCHES		CHK JR RUTH 10/13/88					
TOLERANCES UNLESS OTHERWISE SPECIFIED:		APVD D BRATINA 10/13/88					
0 PLC ± - 1 PLC ± - 2 PLC ± - 3 PLC ± .015 4 PLC ± - ANGLES ± -		NAME					
MATERIAL SEE TABLE		FINISH SEE TABLE	PRODUCT SPEC 108-2043	SIZE	CAGE CODE	DRAWING NO	RESTRICTED TO
			APPLICATION SPEC 114-2123	A3	00779	C-520193	-
			WEIGHT -	CUSTOMER DRAWING			SCALE 4:1
				SHEET 1 OF 1		REV V	